

POWERSUPPLIES

MSW-1000, DC to AC inverter, 1000W with soft start and modified sine wave



- Display for input voltage or output power
- Remote control possible via Remote 2
- Modified sine wave
- Overload and short circuit
- Soft start

Technical data:

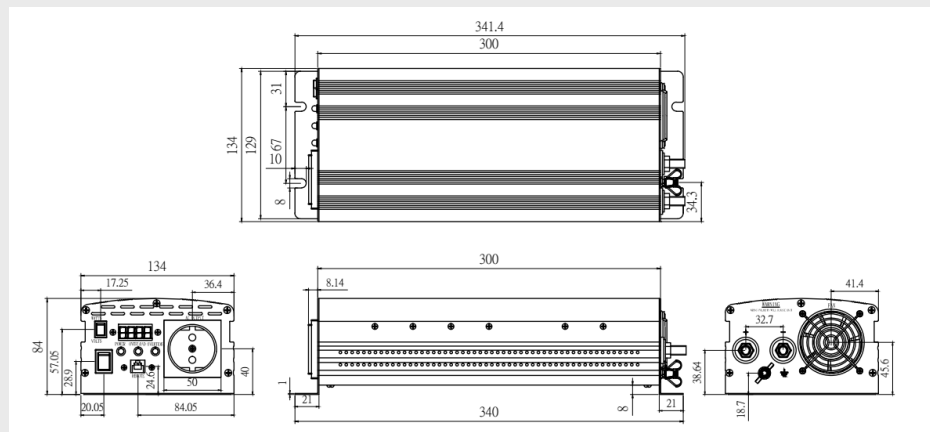
Input:

Input voltage: 12VDC or 24VDC
 Tolerance: 11-15VDC or 21-30VDC
 Current consumption at no load: 0.7A at 12V and 0.5A at 24V
 Remote: 6m cord, On/Off

Output:

Output voltage: 230VAC/50Hz modified sine wave
 Regulation: $\pm 5\%$
 Output power nominal: 1000W continuous
 Output power peak: 2000W for 200mS
 Efficiency: $>85\%$
 Protection: Overload, short circuit and polarity protection (fuse)
 Temperature protection: Shutdown at 60°C ($\pm 10^{\circ}\text{C}$)
 High battery voltage: Shutdown at 16V or 32V, ($\pm 1\text{V}$)
 Low battery voltage: Alarm at 10.5V ($\pm 0.5\text{V}$) or 21V ($\pm 1\text{V}$)
 Shutdown at 10V ($\pm 0.5\text{V}$) or 20V ($\pm 1\text{V}$)
 Fuse: 25A@12V (6pcs) / 15A@24V (6pcs)
 Temperature range: -15°C - $+50^{\circ}\text{C}$
 Cooling: Fan inside
 Size: 341x134x84 mm
 Weight: 2400g
 Safety approval: CE/LVD acc.to EN60950

Mechanical drawing:



Ordering information:

Type	Input voltage	Power	Output voltage
MSW-1000/12-230	12VDC	1000W	230VAC
MSW-1000/24-230	24VDC	1000W	230VAC
Remote 2			