

COMMUNICATION CONVERTER



TRP-C08H USB to 2 ports RS232 and 2 ports RS422/485 Isolated Converter

Introduction

The TRP-C08H allows you to simultaneously connect 2 RS232 and 2 RS422/485 serial devices to system by using a USB interface. The RS232 interface support all common PC DTE connection type. For RS422/485 data lines TRP-C08H provides auto-detecting function in data format, baud rate and data direction flow control, it may automatically configure RS422/485 signals and baud rate without external switch setting. TRP-C08H is equipped with 3000V DC of isolation and internal surge protection to protect the host computer and converter against high voltage spikes, as well as ground potential differences. TRP-C08H features a high-speed 256KB transmission rate, and supports various O.S. The industry DIN rail and panel mounting design enables user a fast and professional installation.

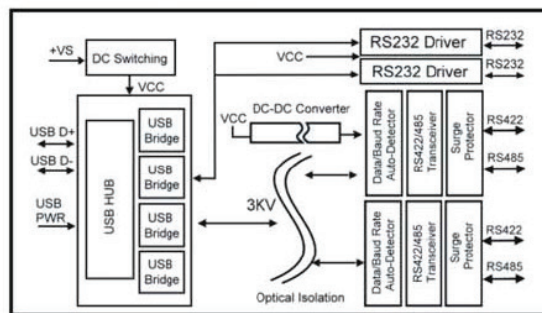
Features

- ◆ Wide input range DC power supply.
- ◆ Full compliance with the USB V1.0, and 2.0 specification.
- ◆ Expand to 2 standard RS232 ports and 2 RS422/485 ports.
- ◆ System gets 4 COM ports when the converter is connected.
- ◆ 256 bytes buffer for upstream and downstream data flow.
- ◆ Auto direction flow control on RS485.
- ◆ Automatically switch signal RS422 and RS485.
- ◆ Support 3000V DC isolation and surge protection on RS422/485 data lines.
- ◆ Power/TXA/RXA/TXB/RXB mode LED indicator.
- ◆ Direct power from USB port or external power necessary.
- ◆ Driver support: Windows 98/ME/2000/XP/CE, Linux and Mac OS.
- ◆ DIN rail or Panel mount support.

Specifications

- ◆ USB interface: fully compliant with V1.0, V2.0 specification.
- ◆ Dual RS232 output: TX, RX, RTS, CTS, DTR, DSR, And DCD, RI.
- ◆ Dual RS422/485 output:
- ◆ RS422 signal: Differential 4 full-duplex wires (TX+, RX+, TX-, RX-).
- ◆ RS485 signal: Differential 2 half-duplex wires (D+, D-).
- ◆ Cable: USB type A to type B.
- ◆ Data format: Asynchronous data with any combination of bits, parity, stop .
- ◆ Parity type: None, odd, even mark, space.
- ◆ Stop bits: 1, 1.5, 2.
- ◆ Data bit: 5, 6, 7, 8.
- ◆ Communication speed: form 300bps to 256Kbps auto-switching.
- ◆ RS422/485 line protection: Against surge, short circuit, and voltage peak.
- ◆ Distance: Up to 4000ft (1200M).
- ◆ Connection type: Screw terminal accepts AWG #12-30 wire.
- ◆ Signal LED: Power on, TXA, RXB.TXB, RXB.
- ◆ Power Supply: Screw terminal, or external DC adapter or USB power.
- ◆ External DC power consumption: 12V/220mA.
- ◆ Isolation: 3000V DC.
- ◆ Operating environment: -20 to 65°C.
- ◆ Storage temperature: -20 to 65°C.
- ◆ Humidity: 10-90% Non-condensing.
- ◆ Dimension: 151mm X 75mm X 26mm.
- ◆ Weight: 395g.

Block Diagram



Application Note

