

# COMMUNICATION CONVERTER



## TRP-C31 Ethernet to Single Port RS232/422/485 Converter

### Introduction

TRP-C31, a fast one-port serial to Ethernet device, is designed to instantly convert data from RS232/422/485 interface to a 10/100Mbps Ethernet network running at the TCP/IP protocol. By using existing network infrastructure the device allow you to link a distant serial peripheral. You can reach TRP-C31 from Windows, Linux and UNIX without the need to modify existing software. The TRP-C31 operates in "Direct IP Mode", "Virtual COM Mode", and "Paired Mode". It has one synchronous DB-9 serial ports equipped 10/100Mbps Ethernet RJ-45 connection. The Ethernet port may auto-select 10Base-T or 100Base-TX. TRP-C31 also offers a Heart Beat feature to ensure a reliable communicating connection. TRP-C31 can work at Loop back Mode, all data is sent back immediately this feature makes the connection testing easy. The industry standard DIN rail design enables fast and professional installation.

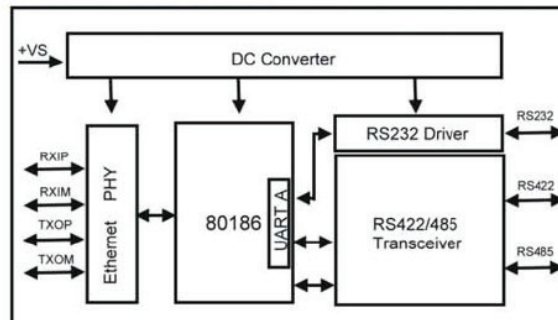
### Features

- ◆ DIN rail or Panel mount support.
- ◆ RS232/422/485 all-in-one serial interfaces.
- ◆ Auto-detecting 10/100Mbps Ethernet interface.
- ◆ In Server mode supports individual client sessions for security.
- ◆ Virtual COM drivers for Windows NT/98/ME/2000/XP.
- ◆ Auto direction flow control on RS485.
- ◆ Provide with +/- 15KV ESD protection on RS232/422/485 signals.
- ◆ Supported baud rate up to 230.4 Kbps.
- ◆ Power/Link/COM Flow LED indicators.
- ◆ Support intranet and internet system setting function.
- ◆ Support screw terminal and external DC power adaptor.

### Specifications

- ◆ CPU: RDC 80186.
- ◆ System memory: 1MB Byte.
- ◆ SDRAM: 1MB Byte.
- ◆ Flash: 256KB.
- ◆ Serial buffer: 64KB per port.
- ◆ LAN: 10/100Mbps Auto-detecting.
- ◆ Power Input Voltage: DC +10V to +15V.
- ◆ Serial Interfaces: RS232, RS422, and RS485 auto-switching.
- ◆ RS232:TX, RX, RTS, CTS, DTR, DSR, DCD, GND.
- ◆ RS422:TX+, TX-,RX+, RX-,RTS+,RTS-,CTS+,CTS-,GND.
- ◆ RS485:Data +, Data -, GND.
- ◆ Data Rate: 110bps to 230.4Kbps.
- ◆ Parity: none, even, odd, mark, space.
- ◆ Data Bits: 5, 6, 7 or 8.
- ◆ Stop Bits: 1, 1.5 or 2.
- ◆ Protocol: TCP, IP, ARP, DHCP, Telnet, HTTP, UDP, ICMP.
- ◆ Power supply: Screw terminal, or external DC adaptor.
- ◆ Power consumption: 15V/190 mA.
- ◆ Operating temperature: -20 to 65 °C .
- ◆ Storage temperature: -20 to 65 °C .
- ◆ Humidity: 10~90% Non-Condensing.
- ◆ Dimension: 151mm X 77mm X 26mm.
- ◆ Weight:377g.

### Block Diagram



### Application Note

