

COMMUNICATION CONVERTER



TRP-C32

Ethernet to 1 port RS232 and 1 port RS232/422/485 converter

Introduction

TRP-C32, a fast 2-port serial to Ethernet device, is designed to instantly convert data from RS232/422/485 interfaces to a 10/100Mbps Ethernet network running at the TCP/IP protocol. By using existing network infrastructure the device allow you to link 2 distant serial peripherals. You can reach TRP-C32 from Windows, Linux and UNIX without the need to modify existing software. The TRP-C32 operates in "Direct IP Mode", "Virtual COM Mode", and "Paired Mode". It has 2 synchronous DB-9 serial ports equipped 10/100Mbps Ethernet RJ-45 connection. The Ethernet port may auto-select 10Base-T or 100Base-TX. TRP-C32 also offers a Heart Beat feature to ensure a reliable communicating connection. TRP-C32 can work at Loop back Mode, all data is sent back immediately this feature makes the connection testing easy. The industry DIN rail and panel mounting design enables fast and professional installation.

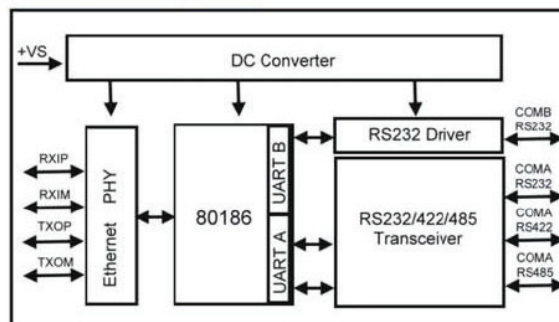
Features

- ◆ DIN rail or Panel mount support.
- ◆ 2 serial ports interface: 1 RS232, 1 RS232/422/485.
- ◆ In Server mode supports individual client sessions for security.
- ◆ Virtual COM drivers for Windows NT/98/ME/2000/XP.
- ◆ Ethernet 10/100Mbps for auto configuration.
- ◆ Auto direction flow control on RS485.
- ◆ Provide with +/- 15KV ESD protection on RS232/422/485 signals.
- ◆ Supported baud rate up to 230.4Kbps.
- ◆ Power/Link/COMA/COMB flow mode LED indicators.
- ◆ Support intranet and internet system setting function.
- ◆ Support screw terminal and external DC power adaptor.

Specifications

- ◆ CPU: RDC 80186.
- ◆ System memory: 1MB Byte.
- ◆ SDRAM: 1MB Byte.
- ◆ Flash: 256KB.
- ◆ Serial buffer: 64KB per port.
- ◆ Power Input Voltage: DC +10V to +15V.
- ◆ LAN: 10/100Base-T, 10/100Mbps Auto-detecting.
- ◆ Serial interface: 1 RS232/422/485 (COMA), 1 RS232 (COMB).
- ◆ RS232: TX, RX, RTS, CTS, DTR, DSR, DCD, GND (COMB).
- ◆ RS422: TX+, TX-, RX+, RX-, RTS+, RTS-, CTS+, CTS-, GND (COMA).
- ◆ RS485: Data +, Data-, GND (COMA).
- ◆ Data Rate: 110bps to 230.4Kbps.
- ◆ Parity: none, even, odd, mark, space.
- ◆ Data Bits: 5, 6, 7 or 8.
- ◆ Stop Bits: 1, 1.5 or 2.
- ◆ Protocol: TCP, IP, ARP, DHCP, Telnet, HTTP, UDP, ICMP
- ◆ Power supply: Screw terminal, or external DC adapter.
- ◆ Power consumption: 15V/200 mA.
- ◆ Operating Temperature: -20 to 65 °C.
- ◆ Storage Temperature: -20 to 65 °C.
- ◆ Humidity: 10~90% Non-Condensing.
- ◆ Dimension: 151mm X 77mm X 26mm.
- ◆ Weight: 379g.

Block Diagram



Application Note

