

COMMUNICATION CONVERTER



TRP-C41 Ethernet to Fiber Media Converter

Introduction

TRP-C41 is a device for Ethernet extension over fiber, it supports point-to-point and networked systems. The high fiber bandwidth connections solve problems with electrical noise and different ground potentials over long transmission lines. TRP-C41 supports 10/100 Base-TX transmissions up to 100 meters and 100Base-FX transmissions up to 20KM. It is the perfect solution for wide distance connections with high immunity to electrical noise.

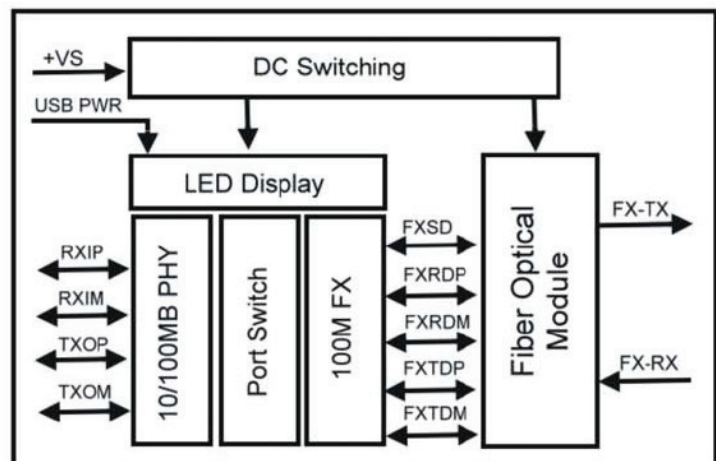
Features

- ◆ Wide input range DC power supply.
- ◆ Plug-and-Play: Plug in the Cat-5 UTP cable into the RJ45 port and SC fiber cables to the SC port you can complete the installation within seconds.
- ◆ Compact and solid Metal case capable of withstanding harsh environment.
- ◆ Data Rate: 10/100Mbps auto-negotiation and Half/Full duplex mode on TX port.
- ◆ Auto MDI-X/MDI-II for 10/100Base-TX port.
- ◆ Provides media conversion from UTP to Fiber Optic media types.
- ◆ Supports link fault pass through function.
- ◆ Supports far end fault function.
- ◆ LED display with Fiber Link / Activity, UTP Link / Activity, 10/100MB status.
- ◆ 3 power input types: Direct USB power, external DC adapter and screw terminal.
- ◆ Support IEEE Standard: 802.3u 100Base-TX & 100Base-FX.

Specifications

- ◆ Cable: Fiber cable (62.5/125um).
- ◆ One port for 10/100Base-TX auto-negotiation Ethernet RJ-45.
- ◆ One port for 100Mbps fiber single mode SC connector.
- ◆ Built in 128KB RAM for data buffer.
- ◆ Wavelength: 1310 nm.
- ◆ Fiber Power:-15 ~ -8 dBm.
- ◆ LED indicator: Power and power and TX and fiber link/activity, full/half, 10/100MB.
- ◆ Transmission distance : 20KM , can be up to 60KM (option)
- ◆ Ethernet : 10/100MB auto-detecting.
- ◆ Power consumption :12V/160mA
- ◆ Power requirement: USB power or DC input or screw terminal from +10 to 30V
- ◆ Operating temperature : 0 to 55°C .
- ◆ Storage temperature : 0 to 55°C .
- ◆ Humidity: 10-90% Non-condensing.
- ◆ Dimension: 151mm X 75mm X 26mm.
- ◆ Weight: 378g.

Block Diagram



Application Note

