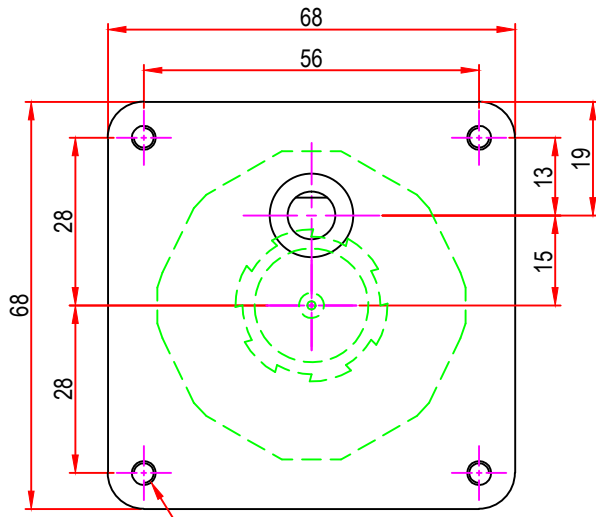
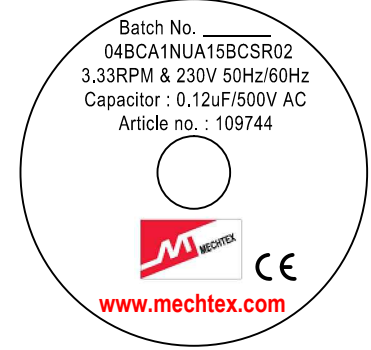
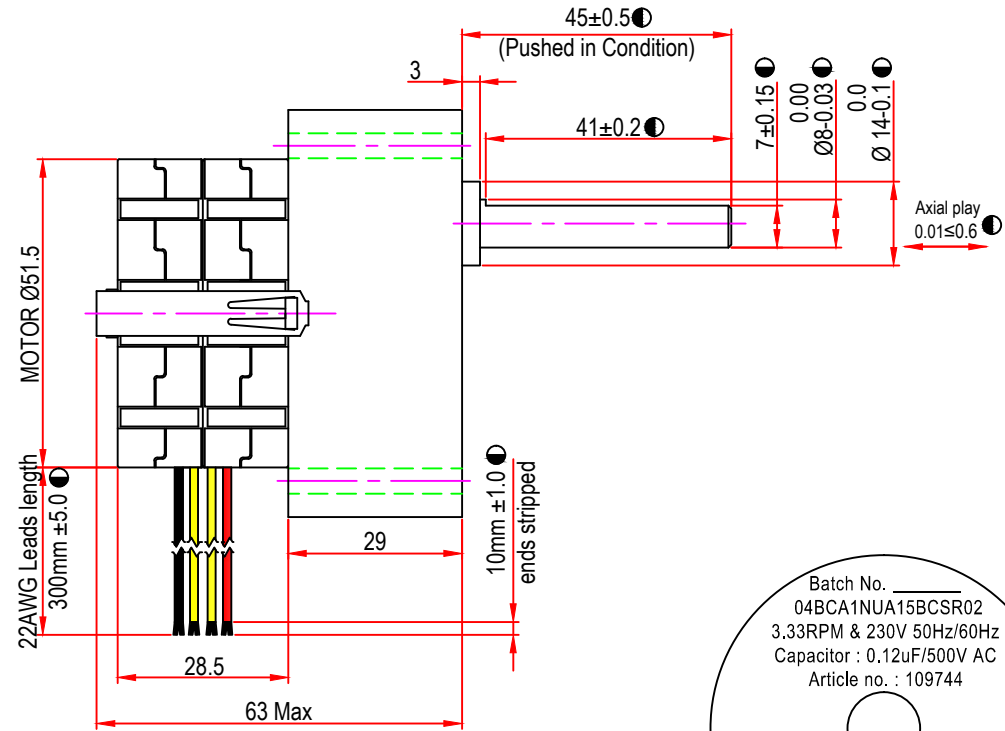


Issue/RevNo	Revision note	Date	Signature	Checked
1.5	Item code changed	23/03/2017	GHD	NSS



M4 x 0.7 With 8.0mm depth x 4nos.  
other on request.



Description : MTR4bGBU, 230V 50Hz, 3.33 rpm, 150:1 ratio,  
1st gear plastic & rest all metal gears, Sintered iron blind bushes &  
Customised type shaft as per drawing + Capacitor TO GIVE Loose, Leads 300mm long

(Project : Powermec AB - SEIBU)		Final Inspection Table	
Sr. No.	Description	Method of Inspection	Acceptance Criteria
1	Supply Voltage	Test Bench	230V 50Hz/60Hz
2	Duty Cycle	Description/ Lead colour	100 % ED Yellow/Red/Black
3	Current	Test Bench	14.45mA ~ 20.55mA
4	O/P Direction from shaft end	Visual	Reversible
5	O/P Speed of Geared Motor	Tachometer / Watch	3.33 rpm @ 50hz / 150 :1 ratio (1st gear plastic & rest all metal gears)
6	Noise Level	Sound Chamber	≤ 60 dB (A) measured at a distance of 100mm in an anechoic chamber
7	Shaft Type	Vernier / Micrometer	Customised type shaft as per drawing
8	Shaft Axial Play	Vernier	0.01 ≤ 0.6 mm
9	Bush	Visual / Vernier	Sintered Bronze Ø 14 x L 3 mm at output & internal stage with sintered Iron
10	Lead Position	Visual	Bottom
11	Flexible Wire Leads	Ruler / Measuring Tape	22 AWG, 300mm total included strip length of 10mm
13	Capacitor	Visual	0.12uF/500 V AC / (TO GIVE)
14	CTQ 1 - Mounting snap clip	Visual	Mounting snap clip must be tightly fit to gearbox
15	CTQ 2 - Gearbox pillars	Visual / Vernier	Pillars must have complete threads

Itemref	Client	POWERMEC AB		Article No./Reference	
Designed by MBM	Checked by NSS	Approved by TNB	Date 08/07/2015	Scale do not scale	
<b>BRAND - MECHTEX</b> Navi Mumbai - 400 709.			DRAWING CODE : 04BCA1NUA15BCSR02		
F-MKT-022 VER 3.0			Assembly drawing	Edition	Sheet 1 of 1