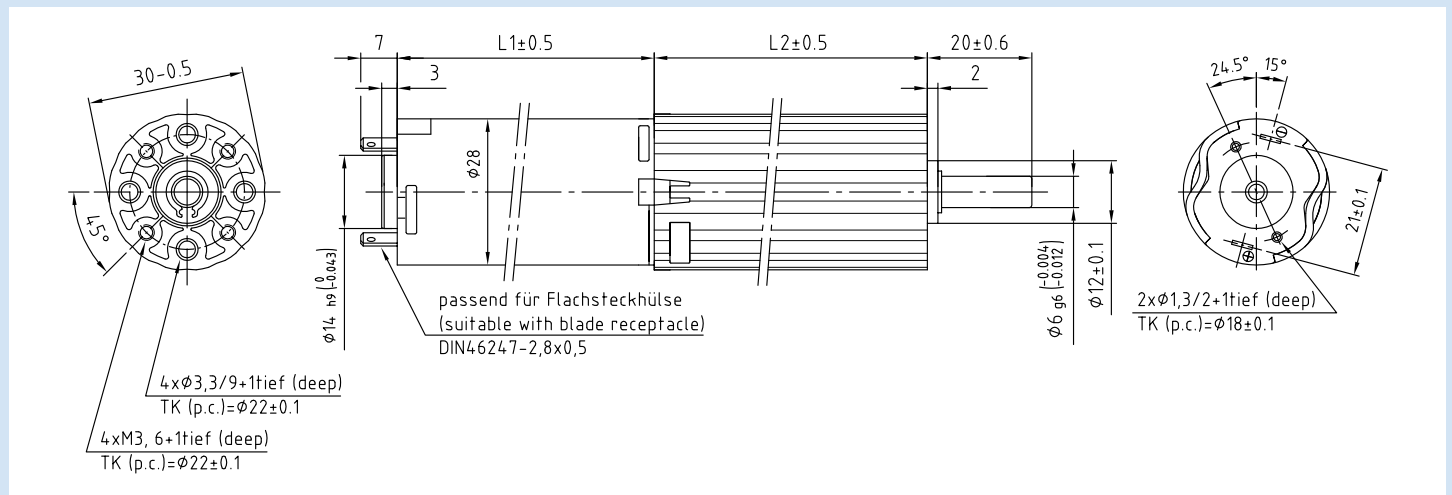


# Motor M28/I with planetary gear PKS30

- Plastic gearhousing, plastic gearflange
- Other reductions, output shaft or connection cable on request



## Gear reduction table M28xXX/I+ PKS30

Application on request

Gear reduction	Number of gear stages	Efficiency of the gear	Speed at motor-speed 3000rpm	Continuous torque	
				M28x20/I L1 = 45.8 mm	M28x40/I L1 = 65.8 mm
[i = x:1]	[x]	[%]	[1/min]	[Ncm]	[Ncm]
25	2	70	120	28	52
46	2	70	65	63	96
93	3	65	32	96	180
169	3	65	18	175	250*
308	3	65	10	250*	250*

\*) Motor have to be operated with current limitation

## General gear data

Number of gear stages	[x]	2	3
Maximum torque	[Ncm]	125	250
Permissible shaft load	[N] (axial / radial)	15 / 45	15 / 45
Gear length L2	[mm]	42.8	52.3

Stand: 4. August 2020 – changes reserved